



# FireX

**Innovative** | **Fire**  
**protection**  
**systems**



## FireX Fire Stopping Mastic FM

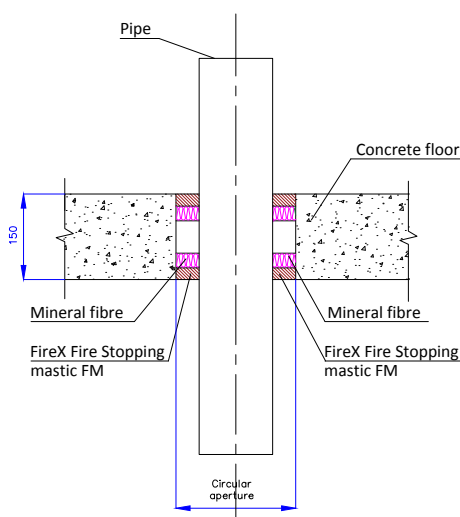
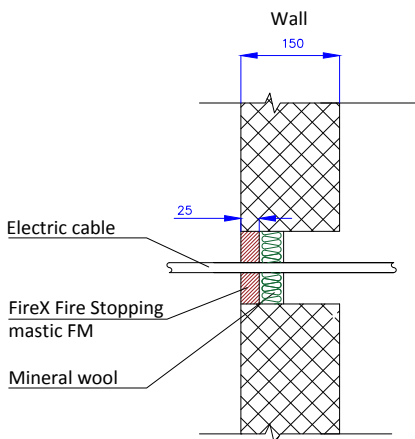
**FireX Fire Stopping Mastic FM** is a fire resistant, water based acoustic acrylic sealant. Designed for use in internal applications, where a low movement fire resistant and/or acoustic joint is required.

### APPLICATIONS

- For sealing construction joints in fire separating walls and floors;
- Acoustic seals around perimeters of fire resistant partitions; dry linings, etc;
- For fire sealing around fire resistant doors;
- Gaps behind fire resistant door casings;
- Sealing for fire resistant grills; intumescent pipe closers, etc;
- Around metallic pipes and other small service penetrations.

### FEATURES AND CHARACTERISTICS

- Classified for fire sealing all types of constructions and building service penetrations;
- Very high sound insulation;
- Low emissions – environmentally and user friendly;
- Simple to apply with a smooth surface finish;
- Permanently flexible – will accommodate movement up to 7.5%;
- Suitable for most surfaces, included concrete, bricks, Leca, steel, gypsum, glass, plastics and most non-porous surfaces;
- Hardens quickly, tack free after 1 hour (the fire performance specification of the joint filler has been derived when the joint filler has been let to cure for a month).



### TECHNICAL DATA

Reaction to fire	Class D-s1, d1
Fire resistance	Up to 240 min
Output	Up to 3 m
Max. measurement	Gap width up to 35 mm
Ready for other works	60 min
Compatibility	Suitable for use with most materials
Certificate	Approved
Condition	Ready for use, acrylic based filler
Colour	White or grey
Packing	310 ml tubes, 25 per box

# FireX Fire Stopping Compound FC

**FireX Fire Stopping Compound FC** is a product, which mixed with water, form a highly thermally insulating fire sealing compound. Compound is used to prevent the spread of fire through openings in fire rated walls and floors.

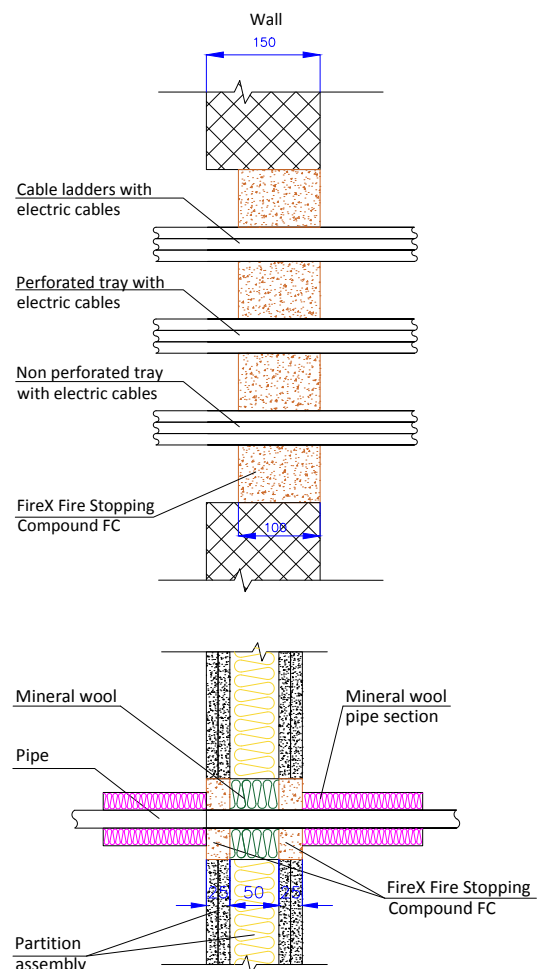


## APPLICATIONS

- For cables and cable trays at rigid floors;
- For steel, copper pipes at rigid floors;
- For ventilation ducts at rigid floors;
- For cables and cable trays at gypsum masonry or concrete – walls;
- For steel, copper pipes at gypsum masonry or concrete – walls.

## FEATURES AND CHARACTERISTICS

- Classified in walls and floors of concrete, brick, gypsum etc.;
- Suitable for cables, bundled cables, cable racks, cable trays, steel, copper, alupex and plastic pipes and air ventilation ducts;
- High degree of mechanical resistance;
- The seal is load bearing without reinforcement;
- No priming necessary prior to application in most building material substrates however metal services in contact with the seal must be corrosion protected;
- Suitable for most surfaces, included concrete, bricks, Leca, steel, plastic etc, but not suitable to fitting of doors or in service openings that involve movement;
- Nearly unlimited storage time.



TECHNICAL DATA	
Reaction to fire	Class A1
Fire resistance	Up to 240 min
Output	Up to 0.4 m <sup>2</sup> of 50 mm thickness
Max. measurement	Sealing aperture up to 1200x2400 mm
Ready for other works	60 min
Compatibility	Suitable for use with most materials
Certificate	Approved
Condition	Ready for mixing with water
Colour	Off white
Packing	Bags of 20 litres



## FireX Fire Stopping Pipe Collars FPC



**FireX Fire Stopping Pipe Collars FPC** are a range of devices designed to be fitted around plastic or metal pipes where they penetrate fire separating constructions. Under fire conditions the intumescent material within the collar expands to crush the softening pipe and fill the resultant opening, thereby maintaining the fire integrity and insulation performance of the floor or wall.

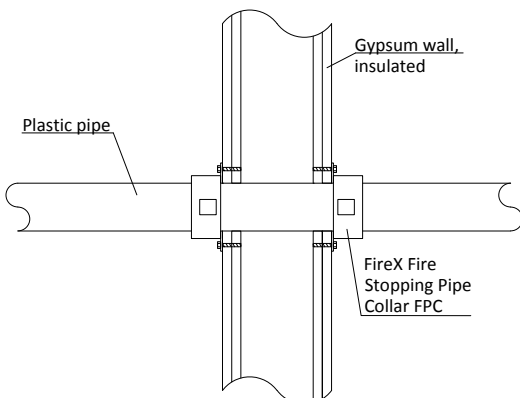
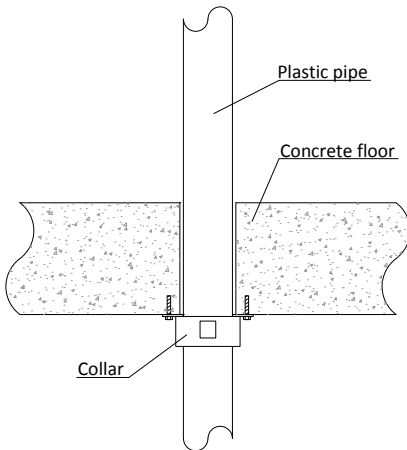


### APPLICATIONS

Fire sealing of resultant openings where combustible plastic pipes pass through fire separating walls and floors. Sealing around steel and copper pipes with continuous combustible foamed rubber insulation where they pass through fire separating construction. Reinstating the fire resistance of separating constructions when penetrated by bunched cables.

### FEATURES AND CHARACTERISTICS

- Simple and quick to install, maintenance free and test evidence available to support a reduced number of mechanical fixings in congested areas;
- Tested for use in 100 mm thick insulated and uninsulated flexible partitions ('plasterboard');
- Tested for use with all types of plastic pipe installations including free air flow to both ends of the pipe;
- Durability tested for use at temperature below freezing.



### TECHNICAL DATA

Reaction to fire	Class F
Fire resistance	Up to 240 min
Output	–
Max. measurement	315 mm
Ready for other works	After mounting
Compatibility	Suitable for plastic and metal pipes
Certificate	Approved
Condition	Ready for use
Colour	White
Packing	It depends from size of collar

## FireX Fire Stopping Pipe Wrap FPW

**FireX Fire Stopping Pipe Wrap FPW** consists of a graphite based reactive intumescent strip, which reacts to heat and closes the opening left by the softening plastic pipe or pipe insulation in fire. The pipe wrap is installed completely around the pipes or insulation and secured with the self-adhesive tab.

### APPLICATIONS

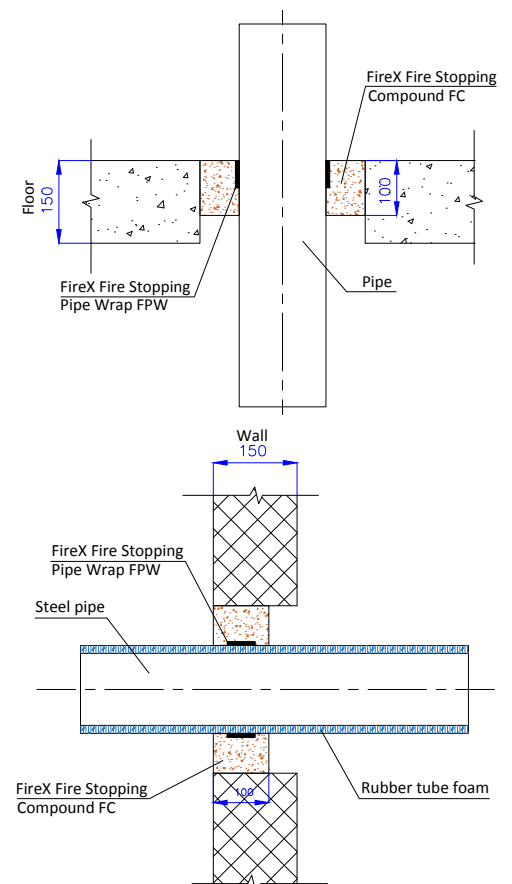
Fire sealing of resultant openings where combustible plastic pipes pass through fire separating walls and floors. Plastic pipe closure device used to form penetration seals where pipes penetrate walls and floors.

### FEATURES AND CHARACTERISTICS

- Hidden installation passing through a wall or ceiling;
- Quick actuated for expanding properties;
- The deepening of material unaffected by humidity and CO<sup>2</sup>;
- Can be used in conjunction with other openings in the sealing material, such as a fire or sealant mixture of fire panels.



TECHNICAL DATA	
Reaction to fire	Class F
Fire resistance	Up to 240 min
Output	–
Max. measurement	Up to 315 mm of wrap Aperture up to 1200 mm x 2400 mm
Ready for other works	After mounting
Compatability	Suitable for use with plastic or metal pipes
Certificate	Approved
Condition	Ready for use
Colour	White
Packing	It depends from wrap size





## FireX Intumescent Coating For Steel Structures PPD-S1 and PPD-S4

**FireX Intumescent Coating For Steel Structures PPD-S1 and PPD-S4** is expanding, thick layer protection of one component, for fire protection of structural steelwork.

### APPLICATIONS

- Load-bearing or no load-bearing steel constructions;
- Open or closed profile steel constructions.

### FEATURES AND CHARACTERISTICS

- Fast-drying, providing short handling times;
- Off-site or on-site application;
- From 200 up to 1000  $\mu\text{m}$  DFT in a single coat;
- Suitable for C1 to C4 internal and external environments (ISO 12944), for dry internal (C1) environments no topcoat is required;
- Weather resistant up to 12 months without topcoat provided the coating has been applied;
- Can be used with airless spray or brush/roller;
- Easy to use.



TECHNICAL DATA		
	Firex PPD-S1	Firex PPD-S4
Reaction to fire	–	–
Fire resistance	Up to 120 min	Up to 120 min
Output	Up to 3,75 m <sup>2</sup> /l	
Max. measurement	Up to 1 mm film thickness	
	Up to 315 (A <sub>p</sub> /V)	Up to 440 (A <sub>p</sub> /V)
Ready for other works	From 16 hours (depends from surface temperature and film thickness)	
Compatability	Suitable for use with steel constructions	
Certificate	Approved	
Condition	Ready for use	
Colour	White matt	
Packing	Bucket of 20 litres	

# FireX Intumescent Coating For Steel Structures PPD-V

**FireX Intumescent Coating For Steel Structures PPD-V** is expanding, thin layer, waterborne protection of one component, for fire protection of structural steelwork.



## APPLICATIONS

- Load-bearing or no load-bearing steel constructions;
- Open or closed profile steel constructions.

## FEATURES AND CHARACTERISTICS

- Fast-drying, providing short handling times;
- From 200 up to 700  $\mu\text{m}$  DFT in a single coat;
- Suitable for C1 to C2 internal and external environments (ISO 12944);
- For dry internal (C1) environments no topcoat is required;
- No thinner required;
- Can be used with airless spray or brush/roller;
- Easy to use.



TECHNICAL DATA	
Reaction to fire	–
Fire resistance	Up to 90 min
Output	Up to 3,75 m <sup>2</sup> /l
Max. measurement	Up to 0.7 mm film thickness Up to 410 (A <sub>p</sub> /V)
Ready for other works	60 min
Compatibility	Suitable for use with steel constructions
Certificate	Approved
Condition	Ready for use
Colour	White matt
Packing	Bucket of 20 litres





## FireX Fire Retardant Wood Coating MPD



**FireX Fire Retardant Wood Coating MPD** is a fire retardant concentrate (salt), which dissolved in water, become an aqueous saline. Product is designed to reduce the flammability of wooden structures.

### APPLICATIONS

For protection of all building timber from fire. It can be load-bearing wood systems or simple wood construction. In addition FireX fire retardant wood coating MPD protects wood from humidity, fungus, mold and insects.

### FEATURES AND CHARACTERISTICS

- Suitable for indoor use;
- Multiple protection;
- Wood will be secured from UV rays;
- Easy to use;
- Odorless;
- Ph – 6.



TECHNICAL DATA	
Reaction to fire	Up to class B-s1, d0
Fire resistance	–
Output	Up to 5m <sup>2</sup> /l
Max. measurement	–
Ready for other works	24h
Compatability	Suitable for use with all wood types
Certificate	Approved
Condition	Ready to mix with water
Colour	Colorless or with brown pigment
Packing	20 kg per bag



# FireX Fire Retardant Wood Coating MPD-1

**FireX Fire Retardant Wood Coating MPD-1** is a fire retardant coating. The product is designed to reduce the flammability of wooden structures.

## APPLICATIONS

FireX Fire Retardant Wood Coating MPD-1 is a flame-retardant saline. This product can be used for protection of all building timber from fire, it can be load-bearing wood systems or simple wood constructions. FireX fire retardant wood coating MPD-1 can be used on mounted wooden structure or before mounting.

## FEATURES AND CHARACTERISTICS

- Classified for use with all wood types;
- Does not freeze until -30 °C;
- Suitable for indoor use;
- Secure wood from UV rays;
- Easy to use;
- Can be applied with brush, roller, or spray gun;
- Odorless;
- Can be heated to required temperature, if needed.

TECHNICAL DATA	
Reaction to fire	Up to class B-s1, d0
Fire resistance	–
Output	2m <sup>2</sup> /l
Max. measurement	–
Ready for other works	60 min
Compatability	Suitable for use with all wood types
Certificate	Approved
Condition	Ready for use.
Colour	Colorless or with brown pigment
Packing	20 l bucket





## FireX Fire Protective Coating SLV EX

**FireX Fire Protective Coating SLV EX** product is fire cement plaster. This product is used to protect the steel structures from fire.

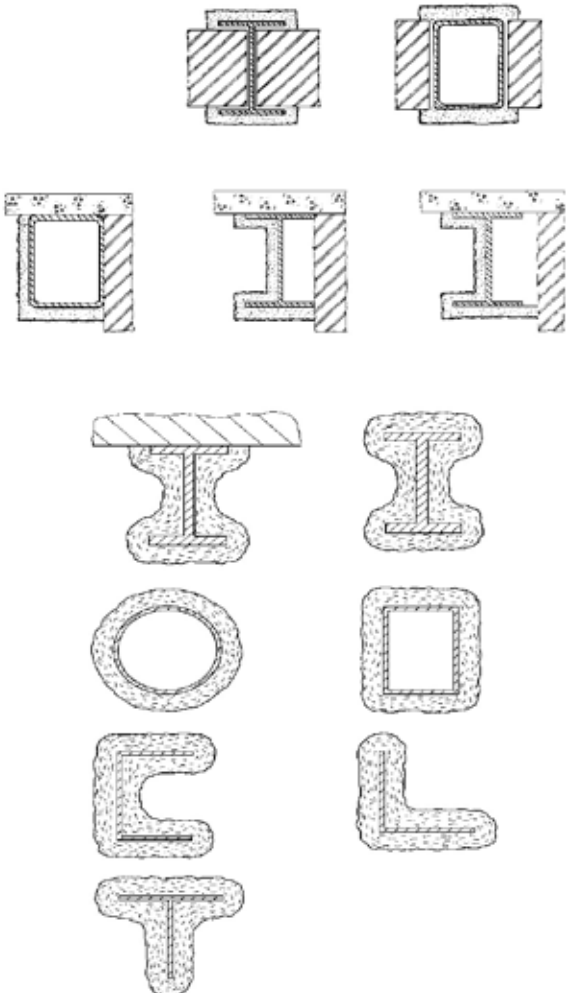
### APPLICATIONS

For load – bearing steel constructions, to protect them in hydrocarbon fire conditions.



### FEATURES AND CHARACTERISTICS

- Not containing asbestos;
- Do not release any toxic gases during fire;
- Resistant to aggressive environments;
- Good adhesion to most primers;
- Fire protective system can be repaired;
- When plaster coating is coated by protective coating, it can be used in outdoors conditions;
- Resistance to cold up to  $-40\text{ }^{\circ}\text{C}$ ;
- Ph – 12.



TECHNICAL DATA	
Reaction to fire	–
Fire resistance	Up to 240 min
Output	Up to 3,125 m <sup>2</sup> of 10 mm thickness
Max. measurement	A <sub>p</sub> /V Up to 400 m <sup>-1</sup>
Ready for other works	8 hours
Compatability	Suitable for use with steel constructions
Certificate	Approved
Condition	Ready for use
Colour	Grey
Packing	Sack of 25 kg

## FireX Static Smoke Barrier SSC

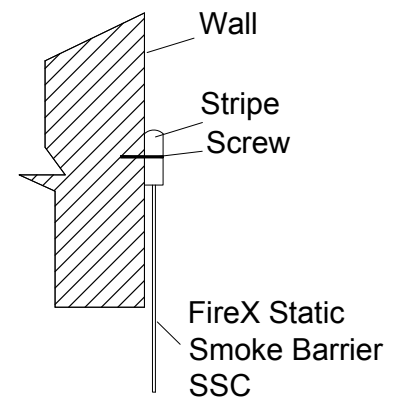
**FireX Static Smoke Barrier SSC** is static, light and flexible smoke barrier, which stops smoke and gas spreading in other parts of building.

### APPLICATIONS

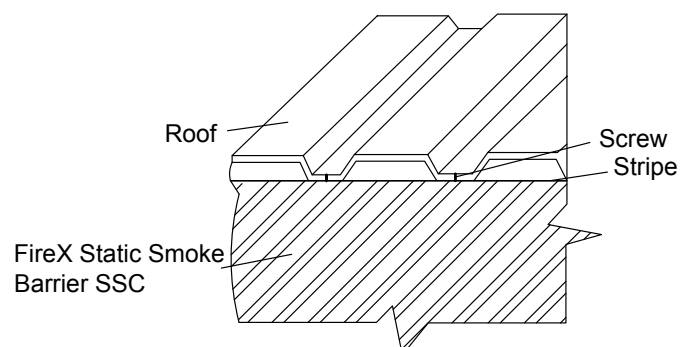
Static smoke barrier is installed to act as a barrier, restricting the lateral spread of smoke and hot gasses. Also, FireX static smoke barrier SSC can direct smoke and hot gasses spreading to projected smoke removal areas.

### FEATURES AND CHARACTERISTICS

- Extremely small static load to the building structure, weight of the fabric only 0,46 kg/m<sup>2</sup>;
- PU coated from both sides fiberglass fabric;
- Easy to install;
- Easy sealing of the systems which pass through the fixed static smoke barrier, e.g. pipes, ventilation lines, ducts, cable trays of other services;
- The static smoke barriers are a cost saving provident then an automatic smoke barriers are not necessary.



TECHNICAL DATA	
Reaction to fire	A2-s1, d0
Fire resistance	Up to 60 min
Output	-
Max. measurement	Up to 5 m width and 30 m length
Ready for other works	After mounting
Compatability	Suitable for all materials
Certificate	Approved
Condition	Ready for use
Colour	Grey
Packing	According order



## **JSC Fire Experts**

Laisves av. 60, LT-05120 Vilnius

Mobile: +370 609 97208

E-mail: [info@firesafety-solutions.com](mailto:info@firesafety-solutions.com)

**[www.firesafety-solutions.com](http://www.firesafety-solutions.com)**

